

Surgical scrub sink MP'UNO® Electronic

Aseptic surgical scrub sink molded in one piece without any join or sealing.

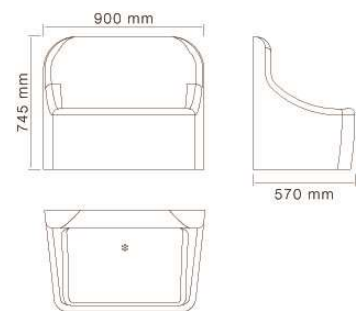
With no overflow hole in order to avoid bacterial development, MP'UNO® has a large wall and sides protections against splashing water.

Available with a full range of accessories for an ideal configuration matching your specific need.

Our team advises every customer according to the country's water quality and environment.

Material: Made of reinforced molded polyester resin fiberglass. The outer coating is made of high grade iso NPG sanitary gelcoat.

Targeted services: Operating rooms, emergency boxes, intensive care unit, dental surgery offices, cosmetic and plastic surgery offices, nephrology and dialysis units, critical care, neonatal unit.



Dimensions

L : 900 mm
H : 745 mm
D : 570 mm
Weight : 15 Kg

Water command

Electronic infrared sensor



With anti-bacterial automatic flush (6h/12h/Off after last use)

Standard equipment

- 1 Infrared sensor with adjustable detection range
 - + 220V AC device and Battery device. 2 in 1
 - + Easy setting with an optional remote control
 - + Control box easy to unclip for maintenance
- 1 Gooseneck tap, chromed finish
- 1 Siphon of Ø40mm
- Regulation valve
- HDPE flexible connecting hoses
- Stainless steel fixing frame

Optional accessories

- Straight faucet tap, premium heavy chromed finish
- Thermostatic mixer with anti-burn security
- Prefiltering kit 1µ with pressure protection system
- Ultraviolet kit for water disinfection - 40W
- Medical disinfectable glass siphon
- Terminal filter 0.2µ all germs 62 days
- Aluminum rail for accessories + 1 clipping frame
- Elbow command Airless Soap dispenser
- Electronic command Airless Soap dispenser
- Manual paper dispenser
- Nail brush dispenser
- Basket for accessories

Surgical scrub sink MP'UNO® Knee control

Aseptic surgical scrub sink molded in one piece without any join or sealing.

With no overflow hole in order to avoid bacterial development, MP'UNO® has a large wall and sides protections against splashing water.

Available with a full range of accessories for an ideal configuration matching your specific need.

Our team advises every customer according to the country's water quality and environment.

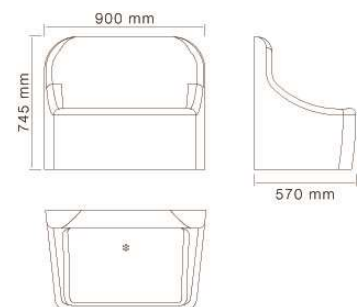
Material: Made of reinforced molded polyester resin fiberglass. The outer coating is made of high grade iso NPG sanitary gelcoat.

Targeted services: Operating rooms, emergency boxes, intensive care unit, dental surgery offices, cosmetic and plastic surgery offices, nephrology and dialysis units, critical care, neonatal unit.



Dimensions

L : 900 mm
H : 745 mm
P : 570 mm
Weight: 15 Kg



Water command

Mechanical knee control
Temporized 10s



Standard equipment

- 1 Knee control stick with tempomatic valve
- 1 Gooseneck tap, chromed finish
- 1 Siphon of Ø40mm
- 1 Regulation valve
- HDPE flexible connecting hoses
- Stainless steel fixing frame

Optional accessories

- Straight faucet tap, premium heavy chromed finish
- Thermostatic mixer with anti-burn security
- Prefiltering kit 1µ with pressure protection system
- Ultraviolet kit for water disinfection - 40W
- Medical disinfectable glass siphon
- Terminal filter 0.2µ all germs 62 days
- Aluminum rail for accessories + 1 clipping frame
- Elbow command Airless Soap dispenser
- Electronic command Airless Soap dispenser
- Manual paper dispenser
- Nail brush dispenser
- Basket for accessories

Surgical scrub sink MP'UNO® Elbow control

Aseptic surgical scrub sink molded in one piece without any join or sealing.

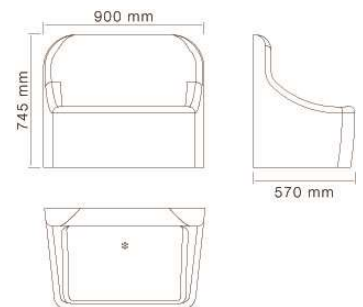
With no overflow hole in order to avoid bacterial development, MP'UNO® has a large wall and sides protections against splashing water.

Available with a full range of accessories for an ideal configuration matching your specific need.

Our team advises every customer according to the country's water quality and environment.

Material: Made of reinforced molded polyester resin fiberglass. The outer coating is made of high grade iso NPG sanitary gelcoat.

Targeted services: Operating rooms, emergency boxes, intensive care unit, dental surgery offices, cosmetic and plastic surgery offices, nephrology and dialysis units, critical care, neonatal unit.



Dimensions

L : 900 mm
H : 745 mm
P : 570 mm
Weight : 15 Kg

Water command

Mechanical elbow control
Premium heavy chromed finish



Allows mixing manually Hot and Cold water

Standard equipment

- 1 Elbow control tap with manual mixing stick
- 1 Siphon of Ø40mm
- 1 Regulation valve
- HDPE flexible connecting hoses
- Stainless steel fixing frame

Optional accessories

- Prefiltering kit 1µ with pressure protection system
- Ultraviolet kit for water disinfection - 40W
- Medical disinfected glass siphon
- Terminal filter 0.2µ all germs 62 days
- Aluminum rail for accessories + 1 clipping frame
- Elbow command Airless Soap dispenser
- Electronic command Airless Soap dispenser
- Manual paper dispenser
- Nail brush dispenser
- Basket for accessories